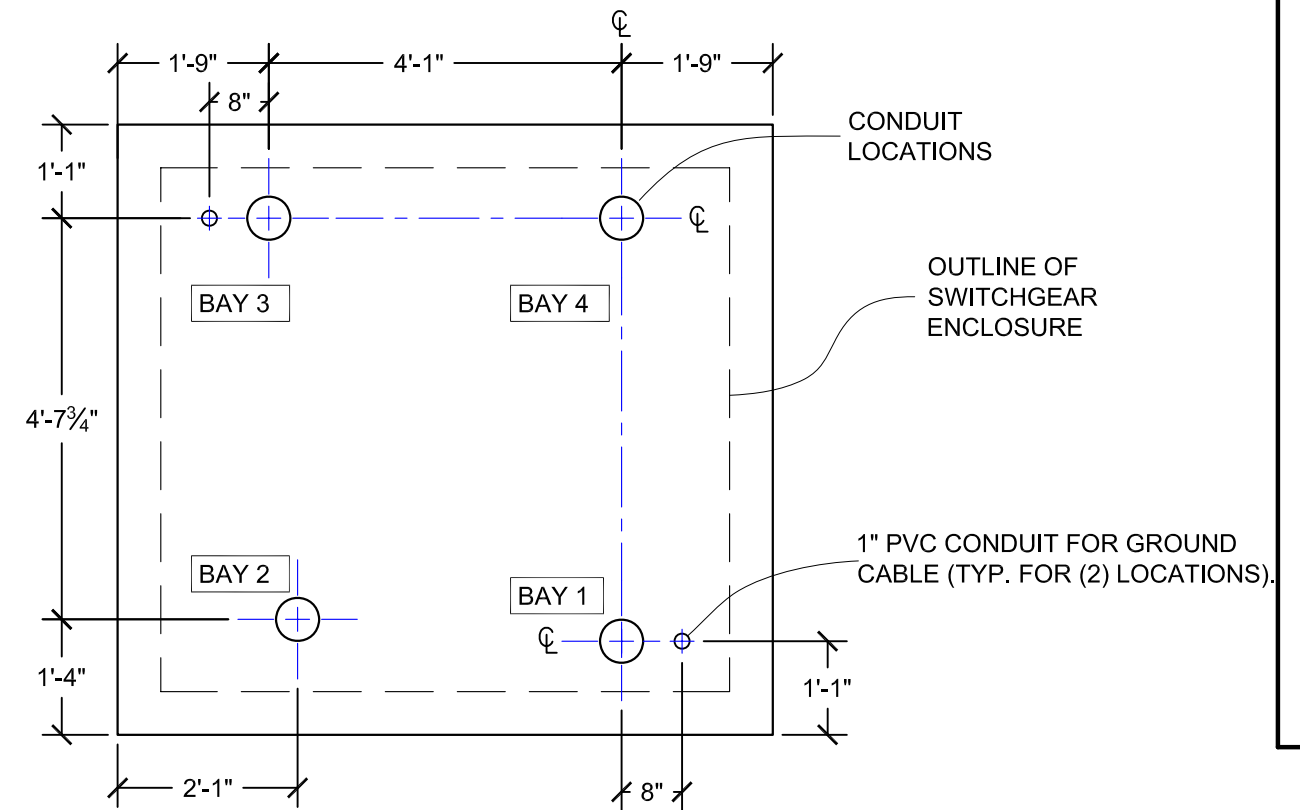
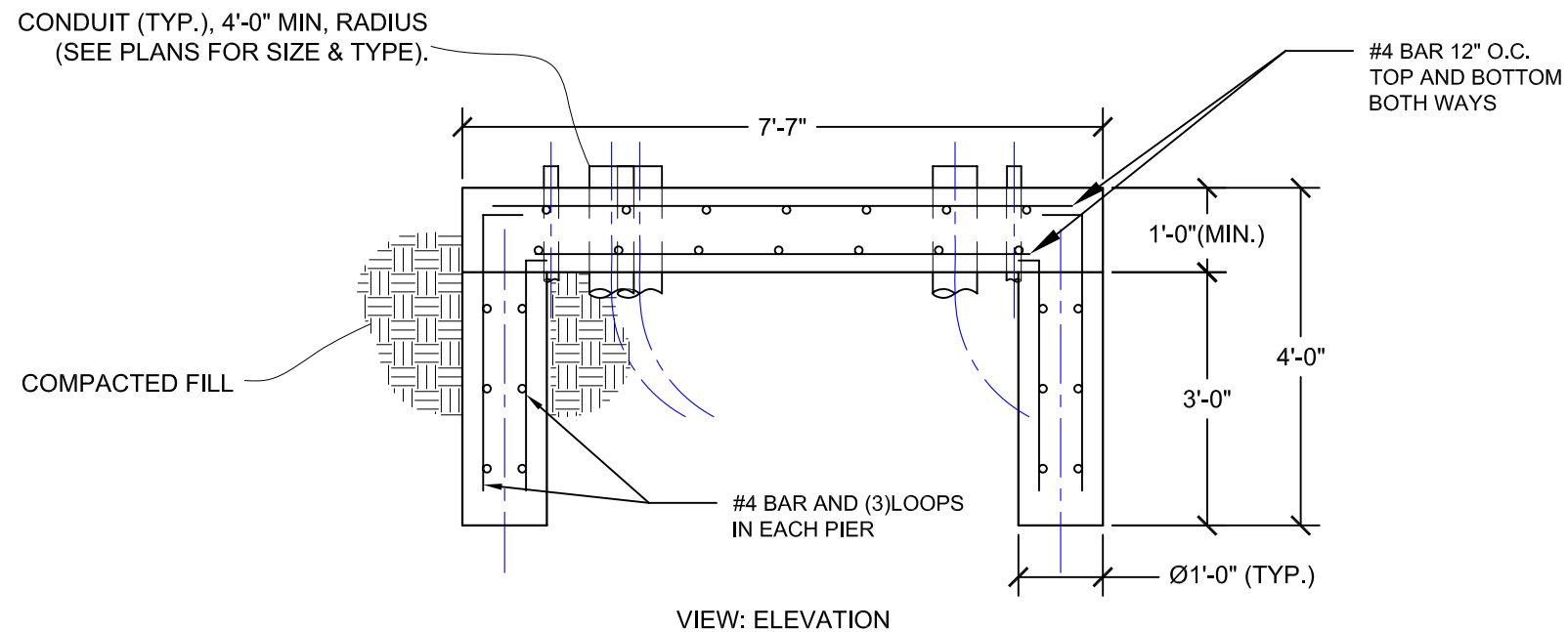


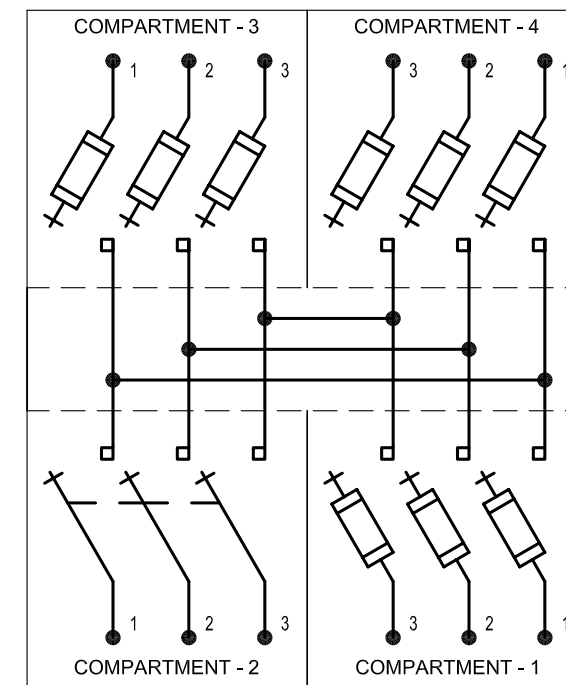
PLAN VIEW: PIER ORIENTATION



PLAN VIEW: CONDUIT LOCATIONS



VIEW: ELEVATION



PMH-12 CONNECTION DIAGRAM

MATERIAL NOTES:

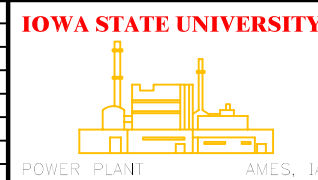
CONCRETE:
28 DAY STRENGTH - 4000 PSI
COARSE AGGREGATE - 1" LIMESTONE
AIR ENTRAINING - 5% TO 7%

CONCRETE REINFORCEMENT:
ASTM A615 GRADE 60.

NOTES:

CONCRETE PAD MINIMUM 6" ABOVE FINISHED GROUND AND LEVEL.
ADJUST THICKNESS TO ACCOMMODATE GRADING

| | | | |
|-------------|------|-----------------|----|
| ENGR: RKL | | DATE: 8/28/2009 | |
| RKL | Date | Revision | By |
| | | | |
| | | | |
| | | | |
| SCALE = NTS | | | |



FACILITIES PLANNING
&
MANAGEMENT
UTILITY SERVICES

| | |
|---------------------------------------|-------|
| DWG. TITLE: SWITCHGEAR S&C PMH 12 | |
| TYPE: CONCRETE DETAIL | |
| DWG. NO.: EU-3_PMH 12 SWGR FOUNDATION | REV.: |
| SHEET: 1 OF 1 | |

DWG. TITLE: SWITCHGEAR S&C PMH 12

TYPE: CONCRETE DETAIL

DWG. NO.: EU-3_PMH 12 SWGR FOUNDATION

REV.:

SHEET: 1 OF 1